

## ENGINE GEARBOX SUPPORT

50840

20,45

1

35

1750mm

500  
KG

Kg

1

35



HOOK AND HANDLE  
FOR REF. 50840

51452

3,43

1

Kg

1

CE

53682

15,45

1

36

1500mm

500  
KG

Kg

1

36



CE

## UNIVERSAL ENGINE HOLDER

52055

10

1

40

Kg

1

40

- Adaptable to any kind of automobiles and vans.
- Ideal for changing the timing belt and auxiliary belt, substituting or changing the inclination of forward belt.
- It's a saving: with one tool you can do works that can only be done with specific tools.
- Simple use.
- Fast positioning: only one worker is needed.
- Positioning amb access in the lower side.
- Perpendicular piece with turn angle. It's adjustable to any length of the longitudinal bar.
- Adjustable hook height, 360° hook rotation.
- Plastic tray to prevent the footing bar shift.



500  
KG



CE

## ENGINE MOUNT

50836

18,15

1

36

Kg

1

36

340  
KG

850mm

900mm

800mm



50838

43,9

1

12

Kg

1

12

900  
KG

900mm

1100mm

900mm

- Folded dimensions:  
100 x 50 x 44cm.



CE

## MOTORBIKE STAND LIFT

53969

6

1

32

Kg

1

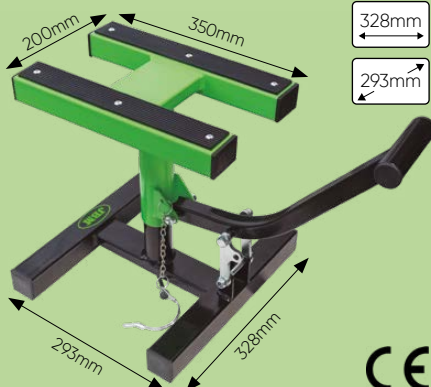
32

150  
KG

400mm  
300mm

328mm

293mm



CE

## MOTORCYCLE JACK

52692

13,5

1

50

Kg

1

50

500  
KG

400mm  
95mm

- Operated with 21mm socket.



CE